

Product presentation

FG ceramic hose FLEX CERAMIC

decrease your production costs
minimize downtime

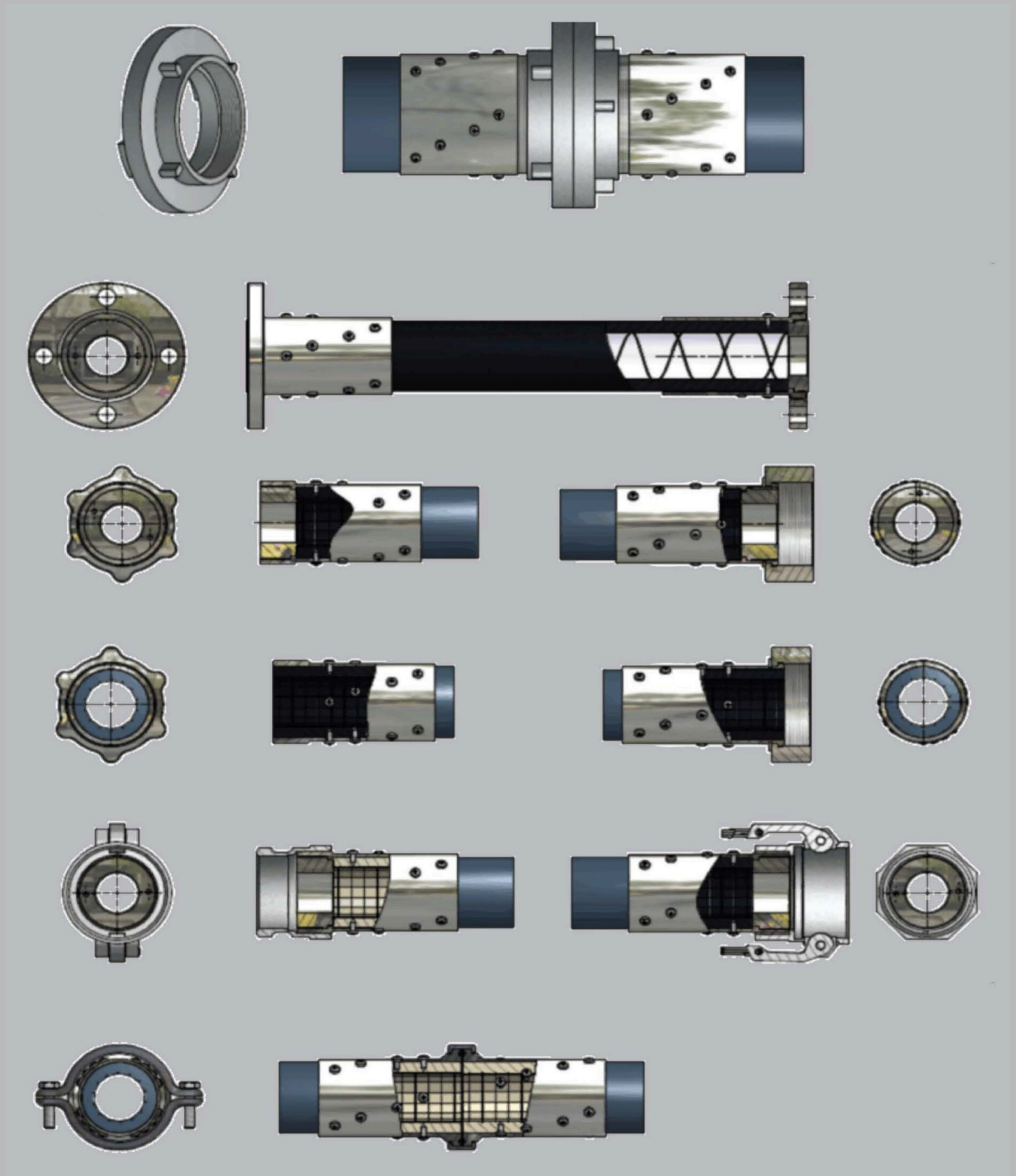


shipping address: Am Sinnerhoop 70 · 58285 Gevelsberg / Germany · Tel +49 2332 544360
registered office: Deller Str. 16 · 58339 Breckerfeld / Germany · Tel +49 2338 5919710

website: <https://www.friedrich-gerke.de>
e-mail: info@friedrich-gerke.de

Connection Components

FG ceramic hose FLEX CERAMIC



The ceramic hose should only be used with especially approved connection components.

shipping address: Am Sinnerhoop 70 · 58285 Gevelsberg / Germany · Tel +49 2332 544360
registered office: Deller Str. 16 · 58339 Breckerfeld / Germany · Tel +49 2338 5919710

website: <https://www.friedrich-gerke.de>
e-mail: info@friedrich-gerke.de

Specification

FG ceramic hose FLEX CERAMIC

The registered trademark conveyor hose for highly abrasive bulk material, patent no. 20085544.

Flex Ceramic is a presentation of our highly abrasive-proof ceramic hose. The extraordinary abrasion resistance is achieved by the use of special vulcanized ceramic plates. Particularly developed for conveying abrasive material.

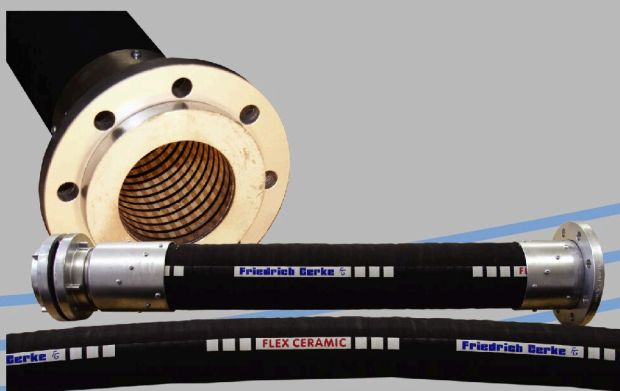
Due to its high flexibility and ability to bend it is universally usable in all kinds of duct systems. By using our ceramic hose, different degrees can be overcome as well as height- and lateral tolerances of common rigid pipes.

Flex Ceramic is successfully used for hydraulic and pneumatic suction- and pressure conveyance of highly abrasive material as: coal, ash, granulated slag, limestone, plaster, sand, gravel, heavily soiled liquids etc.

Construction

Inside: ceramic plates (Al₂O₃) positioned in black anti-static rubber (caoutchouc)
 Reinforcements: textile layer and steel spiral
 (least bursting pressure = 3,2 times operating pressure)
 Outside: SBR, black, anti-static and wear-resistant ozone and UV proof
 Range of temperature: -40°C - +80°C
 Face value: DN 25 - DN 200

| Inside-Ø [mm] | Outside-Ø [mm] | Bending radius [mm] | Admissible working pr. [< 0 bar] | Working pressure [bar] | Weight [kg] | Production length [m] |
|------------------|-------------------|---------------------------|--|------------------------------|----------------|-----------------------------|
| 25 | 53 + 0 / -2 | 140 | -0,9 | 10 | 1,9 | 40 |
| 32 | 60 + 0 / -2 | 150 | -0,9 | 10 | 2,4 | 40 |
| 40 | 73 + 0 / -2 | 160 | -0,9 | 10 | 3,5 | 40 |
| 50 | 83 + 0 / -2 | 210 | -0,9 | 10 | 3,8 | 40 |
| 65 | 98 + 0 / -2 | 320 | -0,9 | 10 | 4,5 | 20 |
| 80 | 113 ± 2 | 420,9 | -0,9 | 10 | 5,6 | 20 |
| 102 | 136 ± 2 | 520 | -0,9 | 10 | 7,4 | 20 |
| 127 | 164 ± 2 | 630 | -0,9 | 10 | 9,0 | 20 |
| 152 | 189 ± 2 | 850 | -0,9 | 10 | 13,3 | 20 |
| 203 | 246 ± 2 | 1900 | -0,9 | 10 | 23,2 | 10 |



Range of Use

FG ceramic hose FLEX CERAMIC



shipping address: Am Sinnerhoop 70 · 58285 Gevelsberg / Germany · Tel +49 2332 544360
registered office: Deller Str. 16 · 58339 Breckerfeld / Germany · Tel +49 2338 5919710

website: <https://www.friedrich-gerke.de>
e-mail: info@friedrich-gerke.de

